

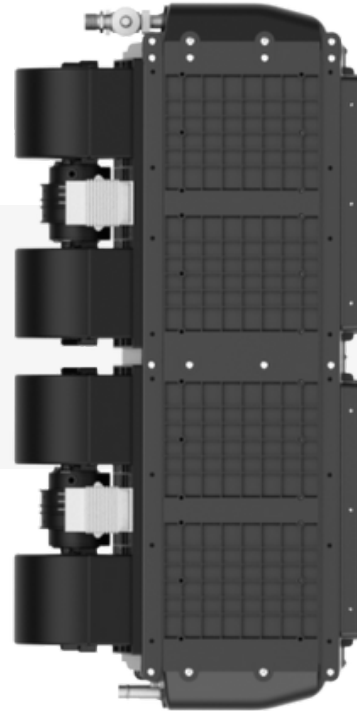
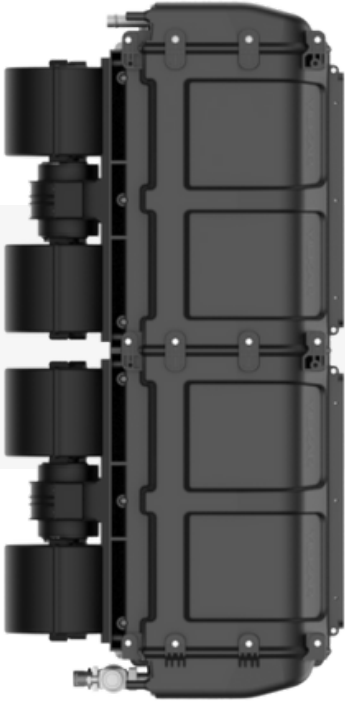


YK 90 S

Cooling Capacity	6 - 9 kW *
Heating Capacity	675 kcal/sa (Optional) **
Air Flow	2400 m ³ /sa
Performance Limit	45 C° (Outdoor Temperature)
Operating Current	36 A @12 VDC
Outside Dimensions	980 * 420 * 226 mm
Unit Weight	13,5 kg ***
Refrigerant	R134a

ECE R10 Certificate

Electromagnetic compatibility approval



* Soğutma kapasitesi kurulum için seçilen kompresör' e göre değişmektedir.

** Isıtma özelliği opsiyonel seçimlidir. Aracınızın kalorifer suyunun klimanın içerisinden geçirilmesi ile gerçekleştirilir.

*** Montaj kiti ağırlığı dahil değildir.

Functionally Connected and Lightweight

Bring it to the position you need and fix it.

Thanks to the connecting parts on the sides,
lowering, raising,
angled and floor mounting ease



Heating (Optional)

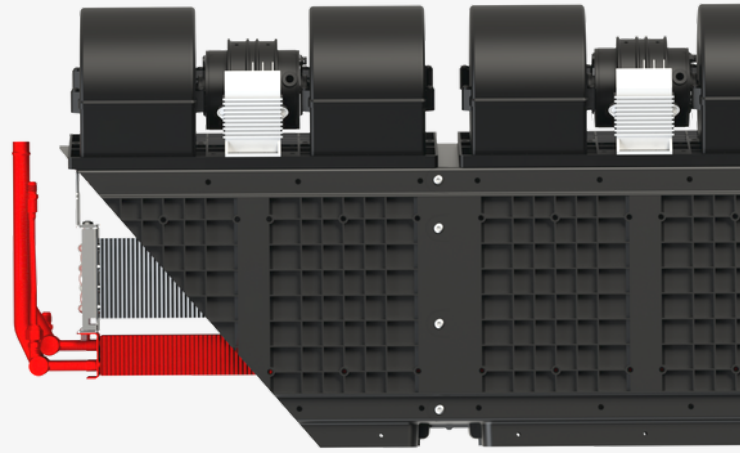
Add heating function as well as cooling to your air conditioner

The heat exchanger (in red) is added to the device and provides heating function.

Yilkar can add heating power to your air conditioner with its design that makes the inert heat generated in your engine usable for air conditioning your vehicle.

In this way,

the cooling of your engine will be more effective and your vehicle will warm up. Your passengers enjoy comfort in all seasons.



Functional Climatronic Control

Control your thermal comfort as you wish with effective temperature and air speed control.

Indoor temperature, outdoor temperature, set temperature, fan stage, air damper, and operating mode are shown on a 2.1 inch LCD screen.

6 independent buttons are used.

These are used for temperature increase, temperature reduction, cooling operation, heating operation, fan stage, and air damper control.

Thermostat-adjusted temperature control and 3-stage airspeed control are provided.

